



# **POWER AWNING Installation Manual**



## Contents

Caution Notes.....	2
Introduction .....	3
Awning Installation.....	4
Securing the Fabric.....	5
Seal Wall Penetrations.....	5
Wiring.....	6
Warranty .....	7

## Caution Notes

As you read this information, take particular note of the NOTICE, CAUTION, WARNING, and DANGER symbols when they appear. This information is important for safe and efficient use of the Velarium Power Awning.



**NOTICE** signals a situation where potential damage to the Velarium Power Awning could occur.



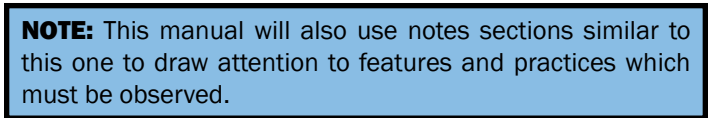
**CAUTION** signals a situation where potential harm or risk of minor or moderate injury could occur if you do not follow instructions.



**WARNING** signals a hazardous situation where potential harm, risk of serious injury, or death could result if instructions are not followed.



**DANGER** signals a situation where immediate risk of serious injury or death will result if instructions are not followed.



Read all instructions before using the Velarium Power Awning. Airxcel is not liable for damage resulting from failing to follow instructions contained in this, and any other Velarium documentation relevant to this product.

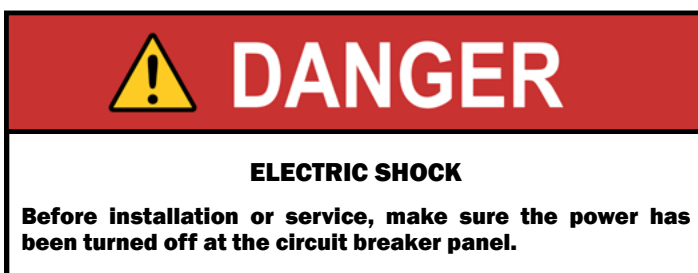


## Safety

- Read this user manual before using the Velarium Power Awning to reduce the risk of injury to persons or damage to the equipment.
- The product identity label contains specifications of the unit, to what standard it has been tested, and important safety notices.



- For your safety, ALL repairs and/or maintenance of unit should be performed by your dealer or a qualified service technician.
- Failure to follow all instructions and safety warnings exactly as described herein could result in serious injury, death, or property damage.
- If the user of this awning fails to maintain it in the condition in which it was shipped from the factory, or if the awning is not used solely for its intended purpose, or if awning is not maintained properly, then the risk of a fire and/or risk of increases which can cause personal injury, property damage, or death.



## System Information

The Velarium Power Awning features an internal motor to steadily operate the awning. Additionally, the pitch arm assembly allows for rain dump and adjustable pitch features. The pitch arm assembly also provides added stability.

**NOTE:** This manual will refer to the “drive side” or “idler side” throughout for various instructions. The “drive side” is the right-hand side of the awning when facing the awning from the exterior of the unit. The “idler side” is the left-hand side of the awning when facing the awning from the exterior of the unit.

## Prior to Installation

All screws supporting the awning assembly **must** have a backer within the structure of the wall of the unit. Refer to the unit's manufacturer for proper location.

## Resources Required

2-3 people	#10 x ¾” screws
Cordless/electric drill	#12 x 1¼” screws
Appropriate drive bits	Wire cutters/strippers
Rivet gun (if needed)	Non-permanent marker/pen
Screwdriver	Silicone sealant or tape
#6 x ½” Hex-head screws	Silicone lubricant

**NOTE:** Contact your Authorized Service Center or Airxcel if you have any questions **before** starting any operation, service, or maintenance.

Service and maintenance must be performed by a qualified installer or technician, service agency.

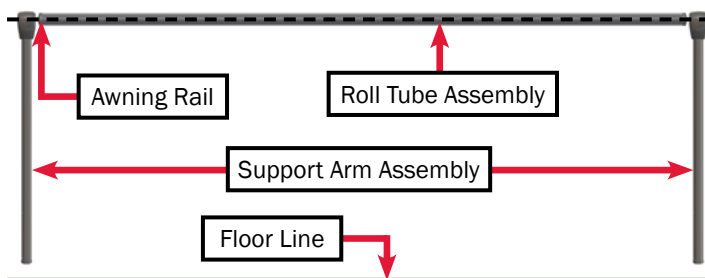
## Installation

### Awning Rail Installation (if needed)

**NOTE:** Awning rail not included.

1. Position the awning rail along the line where the roof and wall meet OR for pitched awnings: position the rail a minimum of 6" above doors or windows.

**NOTE:** Awning rail **MUST** be level and parallel with the floor line of the unit (Figure 1).

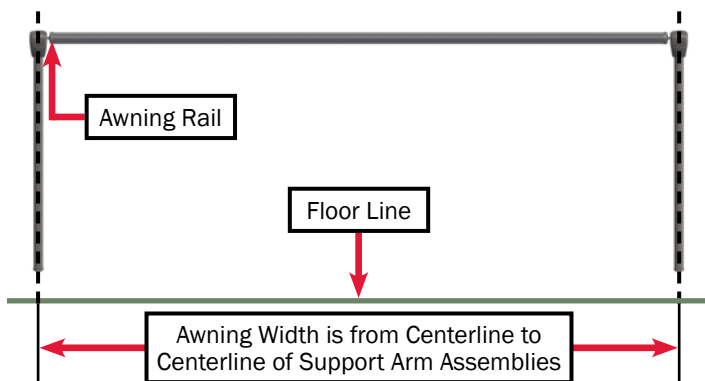


**Figure 1**

2. After determining the awning rail's proper location, mark its position with a non-permanent method of marking.
3. Seal the back of the awning rail with silicone sealant or tape.
4. Align the awning rail on the wall and secure with #10 x 3/4" screws, using all fastener holes.

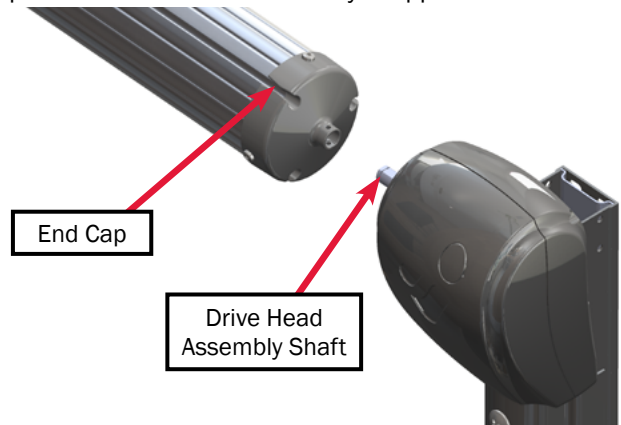
### Awning Installation

1. On the awning rail, mark the position of the centerlines of the support arm assemblies. Make sure that the support arm assemblies will not interfere with any lights, vents or other obstructions.
2. Using a non-permanent marker/pen, mark a perpendicular line from the awning rail down to the floor line. This is the centerline of the support arm assembly (Figure 2).



**Figure 2**

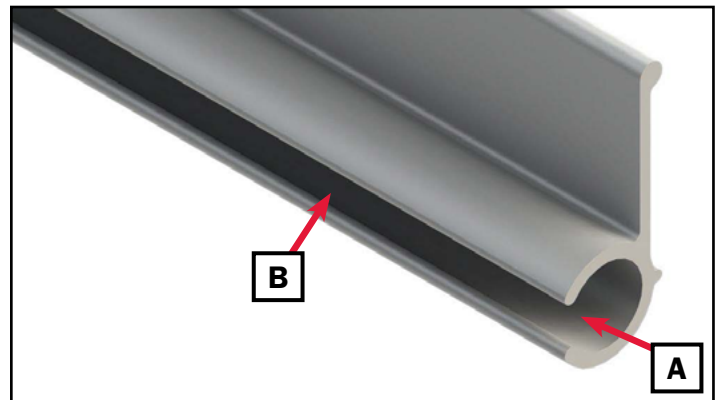
3. Insert the drive head assembly shaft into end cap (Figure 3). Align the holes and secure with waxed screw. Repeat process for idler head assembly at opposite end of roll tube.



**Figure 3**

**NOTE:** To avoid compromising the structural integrity of the wax screw, do not fully fasten the wax screw.

4. Use a screwdriver to spread open either end of the awning rail channel - Figure 4 **A**.
5. To protect the fabric from damage during installation, file any sharp edges or burrs from the awning rail channel - Figure 4 **B**.



**Figure 4**

6. Use silicone lubricant and spray the inside of the awning rail channel (Figure 4 **B**).
7. Remove the tape from the fabric. Unroll a small portion of fabric.

**NOTE:** The next steps will require three people: One to feed the poly-cord into the awning rail channel; two to walk the support arm assemblies along the awning rail while the fabric slides into position.

8. Slide the poly-cord into the awning rail channel and walk the support arm assemblies and fabric down the awning rail channel until the support arm assemblies are in line with the centerline marks.

- Lift the support arm assembly up and secure by setting the awning assembly to the desired height and attaching it to the side of the unit with two #14 x 1 1/4" screws at the top (Fig. 5) and two #14 x 1 1/4" screws at the bottom (Fig. 6).

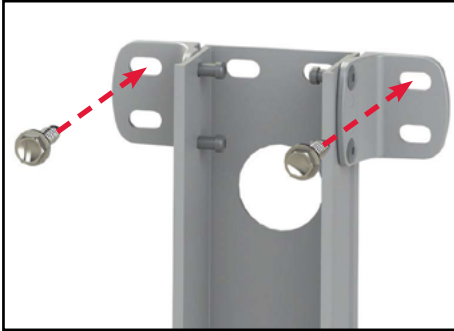


Figure 5

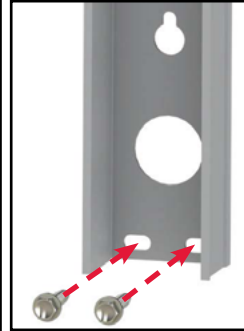


Figure 6

**NOTE:** Make sure the awning assembly is square on the unit prior to mounting the bottom two screws.

**NOTE:** Best practice for setting the awning height is to push the top of the support arm assemblies up to be flush with the bottom of the awning rail. The awning height can be adjusted lower if desired, but make sure that the distance from the awning rail to the top of the support arm assemblies is consistent at both ends of the awning.

**NOTE:** Four rivets with 3/16" grip range can be used in place of the two middle and two lower screws on laminated walls.

- Cut the zip ties and connect the wires from the drive head assembly to a power source and run the awning half way out.
  - Remove the wire cover to expose the fastening points.
  - Install the remaining two #14 x 1 1/4" screws at any of the three locations shown (Figure 7) in the center of the support arm.

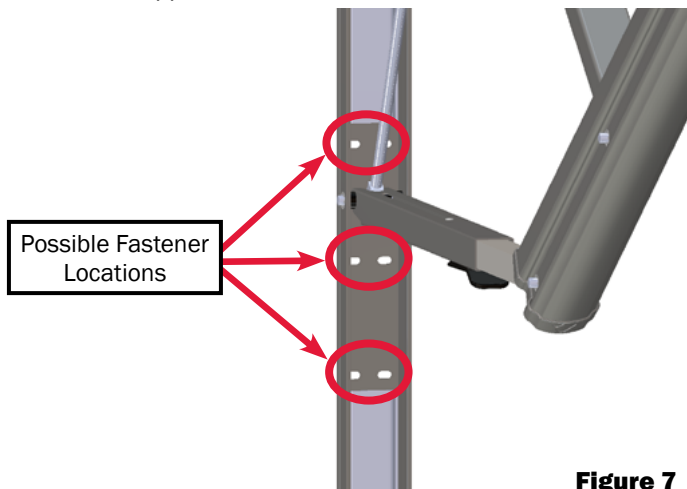


Figure 7

- Repeat this process for the opposite side of the awning assembly.

## Securing the Fabric

- Extend and retract the awning several times to make sure the fabric is square on the roll tube.
- Secure the fabric in the awning rail no more than 1" inside the edge of the fabric on both ends using a #6 x 1/2" hex-head screw. Install the screw down through the awning rail into the fabric and the poly-cord (Fig. 8).

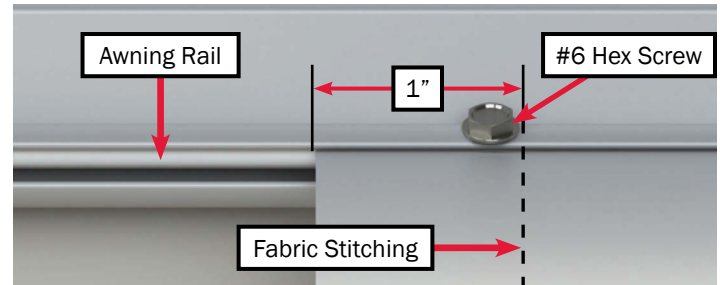


Figure 8

## Seal Wall Penetrations

- Seal all fastener locations and wire penetrations with silicone sealant to protect against water intrusion (figure 9).
- Reinstall all wire covers onto the support arm assemblies.



Figure 9

## Awning Wiring

Velarium Power Awning motors come stock with an internal 6A auto reset breaker. If this breaker trips, it will take approximately 30 seconds to reset. Velarium recommends the awning be wired into a 15A circuit breaker.

All wire shall be 14 AWG or higher as necessary to provide 11.5V minimum at all times to the supplied power cable connection.

1. Pull the wires from the unit through the support arm assembly. These wires may be located at the bottom or the top of the support arm assembly.
2. Connect wiring from the unit to the switch and the awning drive head per the wiring diagram (Figure 11).

**NOTE:** If the awning is running in reverse of what the switch indicates, check the switch and reverse the wires.

**NOTE:** Make sure all wires are routed on the outside of the pin that secures the pitch arm to the mount arm (Figure 10) to prevent pinching of the wires.

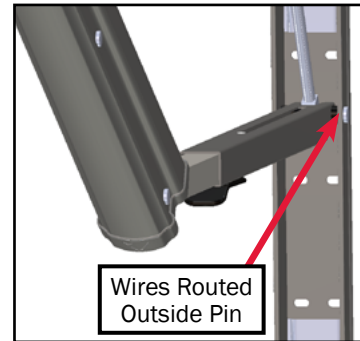


Figure 10

## Wiring Diagram

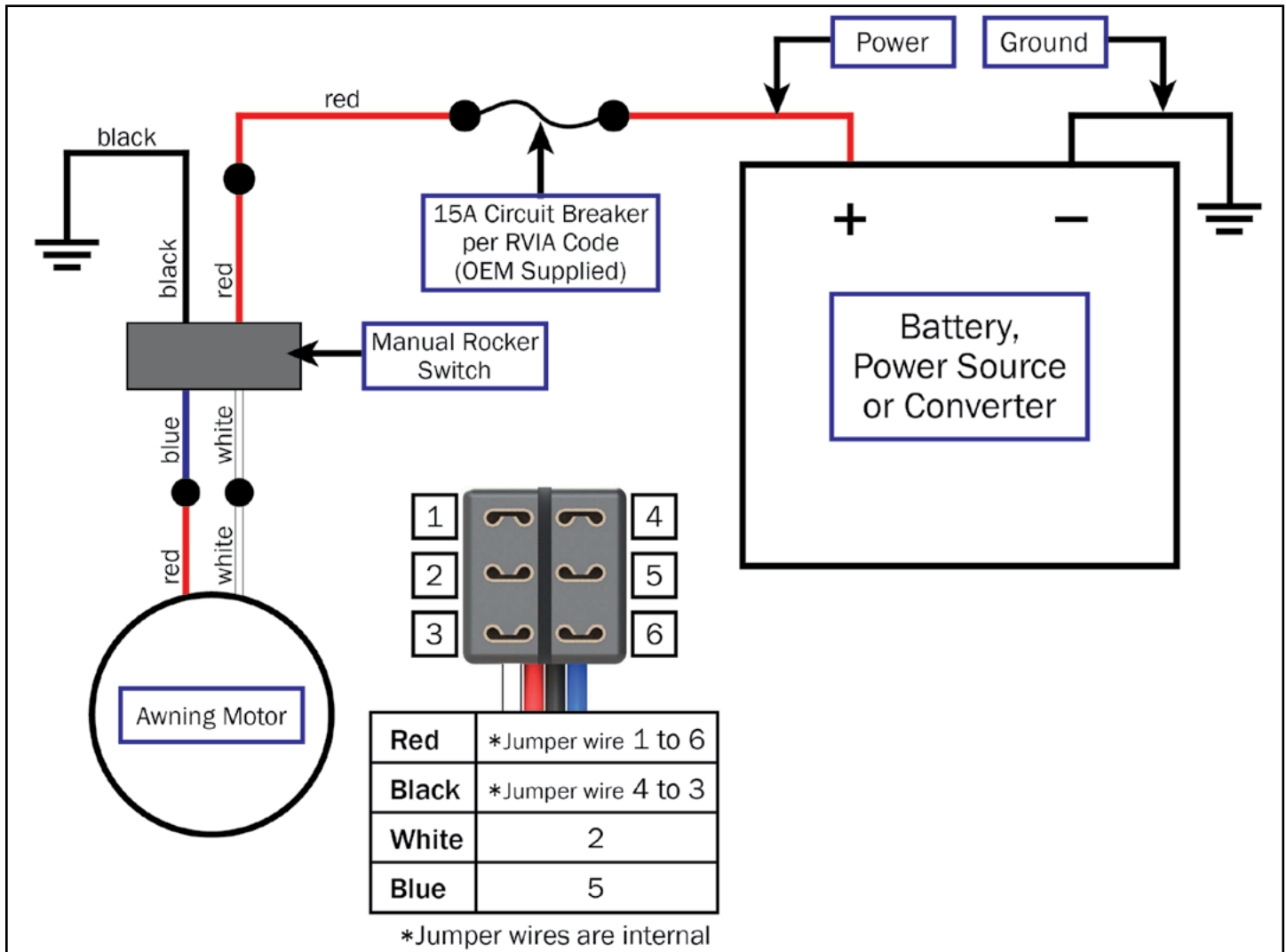


Figure 11



**One Year Limited Warranty  
Velarium Awnings**

Velarium warrants to the first retail purchaser that the Velarium product is free from defects in material and workmanship under normal use and maintenance for a period of one year from the time of retail purchase whether or not actual use begins on that date. It is the responsibility of the retail purchaser to provide proof of purchase date through bill of sale or other payment records. Velarium’s obligation under this warranty is limited to the repair or replacement of any defective component with new or factory refurbished components or complete product. Velarium reserves the right to examine the alleged defect, and it is the owner’s obligation to return the awning or component to Velarium or its representative. Any such return must include the part number and serial number. This warranty is not transferable.

**Duration**

The limited warranty duration is one year from date of retail purchase. Warranty duration is not extended by length of time product is not in use or under repair. Some RV manufacturers may provide warranties that extend beyond the duration of Velarium’s warranty. For claims after one year from original purchase date, refer to RV manufacturer warranty.

**What is Covered Under this Warranty**

Defects in manufacturer’s material and workmanship under normal use and maintenance within the duration of the warranty period. Covered components include awning fabrics, roller assemblies, roller tube extrusions, awning arm hardware, motor assemblies, operation switches and mechanisms. Velarium will pay the servicing dealer for:

- Parts: at Velarium’s discretion, replace parts or the complete product with new or factory refurbished components.
- Labor: Velarium will reimburse servicing agent.
- Freight: Velarium will pay the freight charges for the part or complete product to be sent to the servicing agent. All items will be shipped by common carrier of Velarium’s choice. Expedited freight is not covered under warranty.

**What is Not Covered Under this Warranty**

- Normal maintenance as outlined in the owner’s manual.
- Damage or repairs required because of faulty or incorrect installation or services.
- Defects not reported at time of purchase/receipt, including fabric damages such as pinholes and tears.
- Costs incurred in gaining access to the awning parts or components.
- Parts or accessories not supplied by Velarium.
- Damage or repairs needed as a consequence of any misapplication, abuse, unreasonable use, unauthorized alteration, improper service, improper operation or failure to provide reasonable and necessary maintenance.
- Velarium products whose serial number has been altered, defaced or removed.
- Any expense related to the delivery or pick-up of product from servicing agent including travel time, transportation costs and service call charges.
- Damage resulting from rain, floods, winds, lightning, accidents, or other conditions beyond the control of Velarium.
- Product sold or transferred from the original retail purchaser. This warranty is not transferable.
- Any special, indirect, or consequential property, economic or commercial damage of any nature whatsoever.

This warranty gives you specific legal rights, and you may also have other rights which vary from state to state.

**If You Have a Product Issue and Potential Warranty Claim:**

1. If your RV has the original Velarium awning and is still under the RV manufactures warranty, follow the steps suggested by your dealer or manufacturer of the RV.
2. Contact a Velarium dealer or service center. Describe to them the nature of your problem, make and appointment, if necessary, and provide for delivery of your RV to the service provider.
3. For the location of the nearest service center contact:  
Velarium, an Airxcel brand  
Customer Service Department  
1136 Verdant Drive  
Elkhart, IN 45616

FOR FUTURE REFERENCE, YOU SHOULD RECORD THE FOLLOWING INFORMATION:	
<b>PART NUMBER:</b>	
<b>SERIAL NUMBER:</b>	
<b>DATE OF PURCHASE:</b>	



# POWER AWNING Installation Manual

